

Utility Coordination Policy

UTILITY COORDINATION POLICY

It shall be the policy of the Kootenai County Utility Council to work cooperatively with the public and private entities involved with construction and renovation of commercial and residential development within Kootenai County. This cooperative effort shall minimally include the following:

1. The public utilities and cable television shall be notified of the preliminary plat application. Comments from the utilities and cable television shall be incorporated in the preliminary plat review. The utilities and cable television shall make comments available prior to review by governing body.
2. The governing body will require a 10-foot perpetual and exclusive roadway, drainage, and utility easement contiguous with each side of the public right-of-way.
3. Governing agencies will hold a recorded pre-design conference to coordinate design location of public and private utilities. Standard design practices will be incorporated when applicable. Variation from standard design practices will be the exception.
4. Construction will not begin until construction drawings have been approved. A recorded preconstruction conference will be held during which a construction schedule will be provided. A project manager for the developer will be designated at the preconstruction conference.
5. Quality control will be the responsibility of the developer's engineer. Construction inspection logs and quality control test results will be provided to the governing body.

6. Record drawings shall be reviewed by public utilities and cable television prior to submittal to governing agency. Public utilities and cable television will review as-builts for accuracy of utilities location.

7. A final plat will not be approved until a final inspection has been held by the governing body. Record drawings (as-builts) will be submitted prior to final plat approval. Final plats will be approved upon receipt of surety bond for improvements not completed.

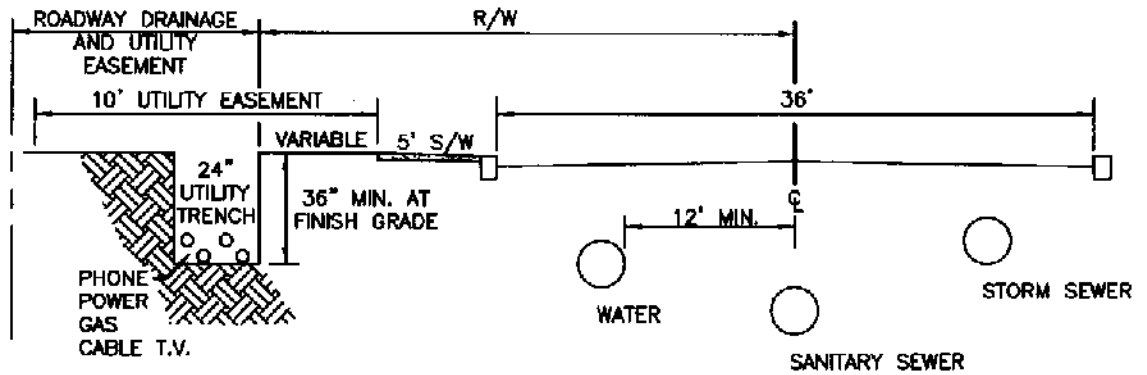
PRE-CONSTRUCTION CHECKLIST

1. Notification to affected property owners
2. Starting times and other restrictions
3. Signing
4. Flagmen and traffic control
5. Detours
6. Dust control
7. Temporary pedestrian crossings
8. Asphalt cuts and replacement
9. Compaction requirements
10. Cleanup
11. Ditch safety after hours and during construction in high pedestrian traffic areas
12. Where is excess backfill to be placed? Private property? Has permission in writing been issued? Is a Kootenai County site disturbance permit in hand?
13. Inspection requirements
14. Permitting requirements
15. Utility locations
16. Construction schedules
17. Contact person for project

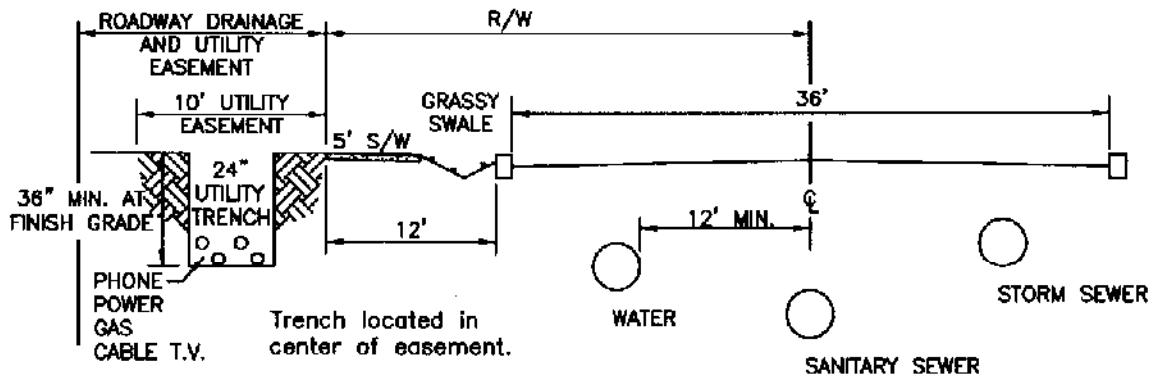
Utility Cross Section

Note:
Utilities to be placed
according to applicable
codes.

PREFERRED LOCATIONS

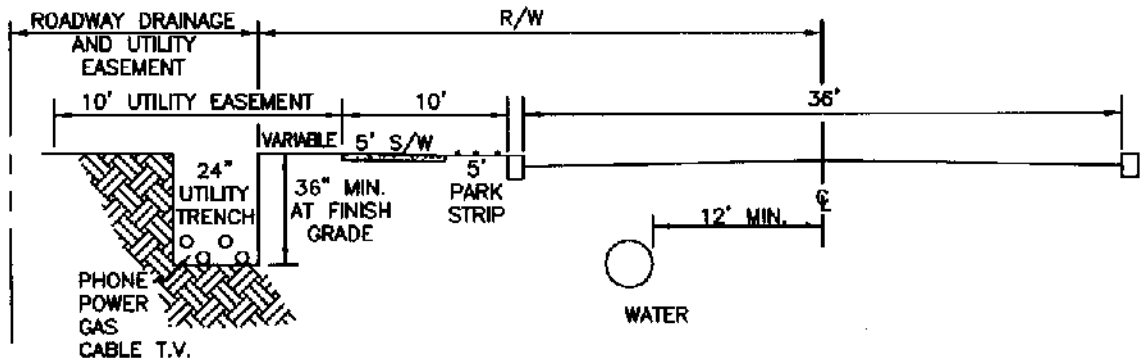


SIDEWALK AGAINST CURB



SIDEWALK SETBACK AT 12' FOR GRASSY SWALE

RURAL SECTION



SIDEWALK SETBACK AT 10' FOR 5' PARK STRIP